



The perfect fit.
FOR THE APPLICATION
AND THE BUDGET.

Introducing the new E50C Combi Boiler.



Rinnai

Simply smart engineering.

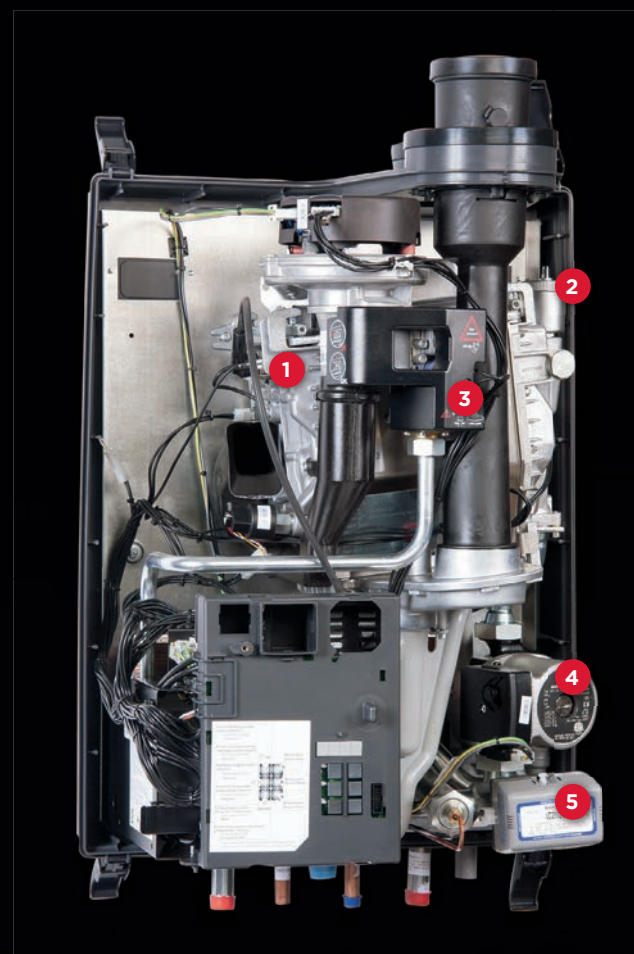


Specifically designed for multifamily applications with up to 1.5 baths, the new E50C delivers all the home heating and water heating customers need, while keeping installation and operation costs down and efficiency at its highest.

Benefits at a glance:

- Most efficient combi boiler on the market—95.6% AFUE
- Cost-effective, simplified installation—fewer components needed
- No primary secondary piping or closely spaced tees required*
- No system pumps required—reduces install time and cost
- Fewer maintenance intervals required than the competition— Inspection every two years or 4,000 hours; Service every four years or 8,000 hours
- 13,600 to 50,000 BTU heating load
- Proprietary stainless steel heat exchanger for unmatched performance and durability
- Greater control—system temperature adjustable in two-degree increments
- Automatic de-aeration at start-up

E50C SPECIFICATION CHART	
AFUE	95.6%
Heating Input	50,000 BTU
Minimum Input	13,600 BTU
Gas Pressure	3.0" W.C.
Gas Line Size**	1/2"
DHW at 75° Rise	2.1
Turn-Down Ratio	6.25:1
Low Loss Header Kit	As Accessory
Gas Type	NG (propane conversion kit)
Venting Type	2 Pipe/Concentric
High Altitude	10,000 ft
Canada Approved	Q1 2014



STANDARD HOOKUPS AND INSTALLATION

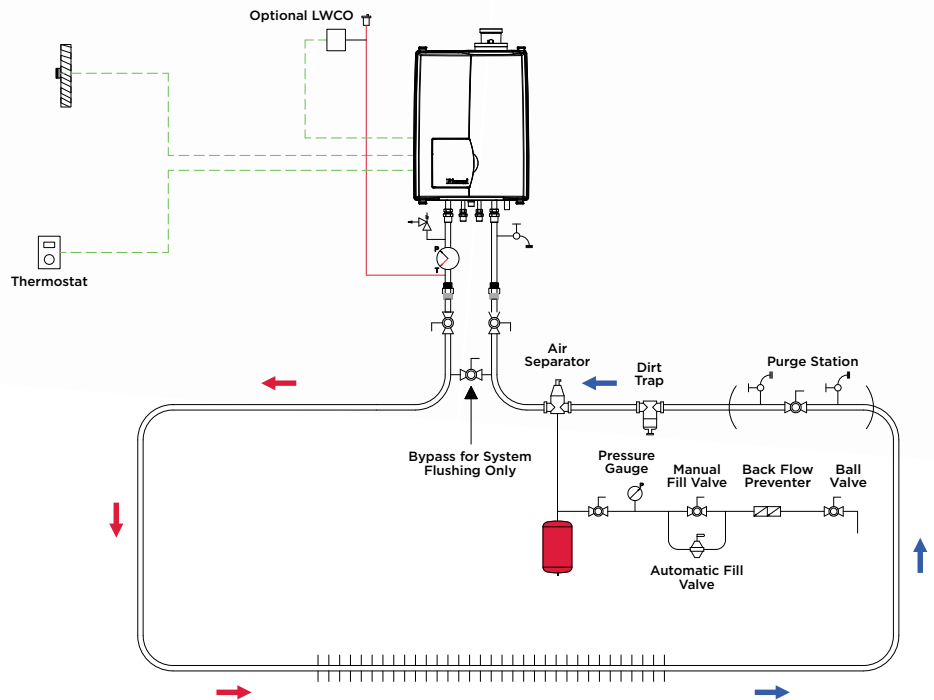
- 1 Stainless Steel Heat Exchanger
- 2 Air Vent
- 3 Gas Valve
- 4 Single-Speed Boiler Pump
- 5 Three-Way Motorized Valve

* Not required if the pressure drop in any system loop(s) does not exceed 4.6 feet of head at 4.5 GPM flow rate.

** Gas line connection to boiler is 3/4".

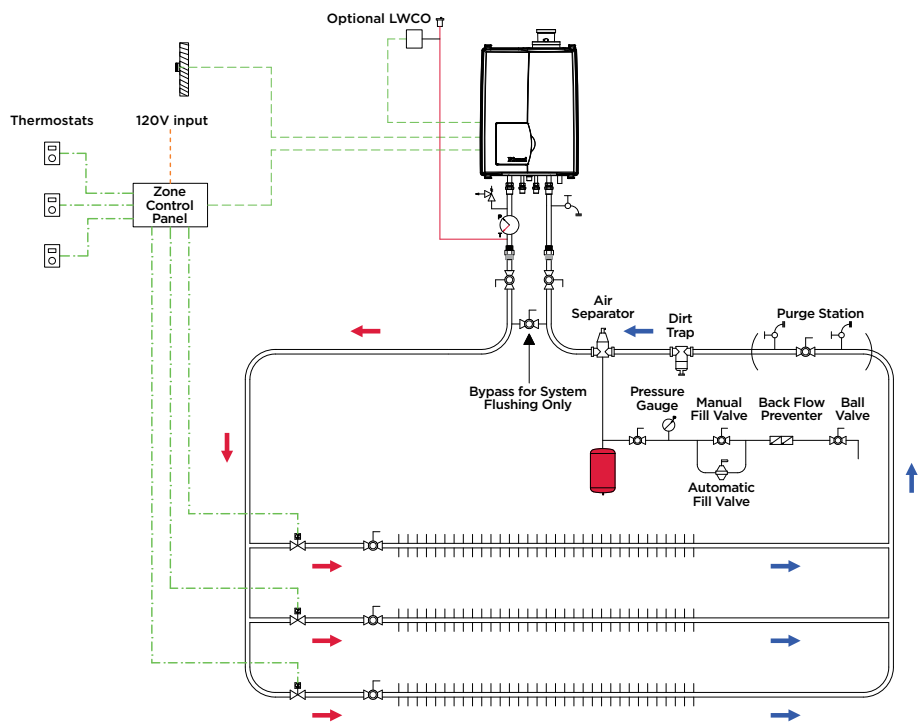
Piping Drawings

Single-zone, serial flow, baseboard heat application.†



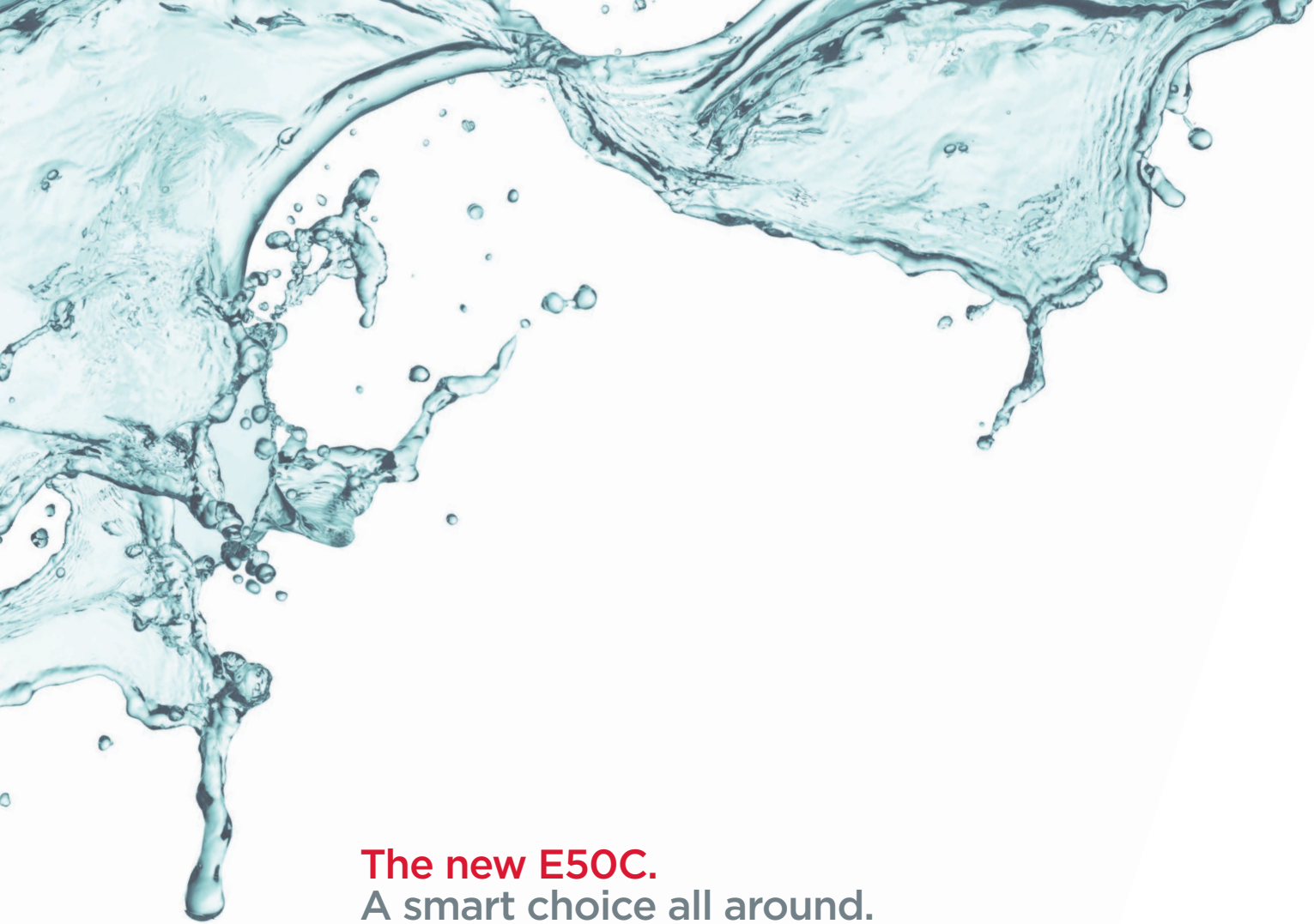
Three-zone baseboard heat application with three zone valves.†

When the E50C is used with zone valves instead of zone pumps, it can be installed without closely spaced tees.



†The maximum allowable pressure drop through system loop is 4.6 feet of head at 4.5 GPM flow rate.

The drawings in this section represent only a few of the piping options and system concepts the boiler can be connected to and are not intended to serve as engineering or design drawings. For more information, see E50C System Piping and Application Design Manual.



The new E50C.
A smart choice all around.

Keeping costs down, efficiency up, and everyone satisfied. The E50C may be small, but it accomplishes some pretty tall orders. It's the kind of quality engineering you can count on during installation and long after—the kind you've come to expect from Rinnai.

To learn more, contact your local distributor.

Rinnai®

Rinnai America Corporation • 103 International Drive, Peachtree City, GA 30269
Toll-Free: 1-800-621-9419 • Phone: 678-829-1700 • www.rinnai.us

©2013 Rinnai America Corporation. Rinnai is continually updating and improving products; therefore, specifications are subject to change without prior notice. Local, state, provincial, federal and national fuel gas codes must be adhered to prior to and upon installation.